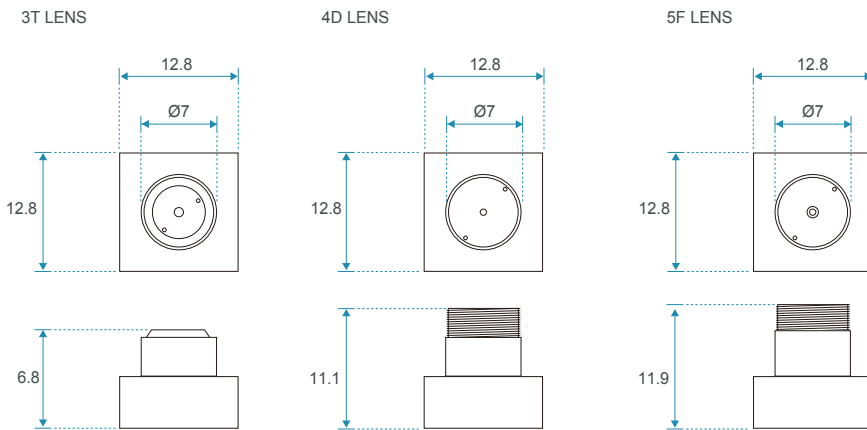


Body Type



unit : mm (±0.5)

Feature

- High Sensitivity!
- High Performance.
- WDR image sensor
- 520 TV lines
- Compact size

Specification

Model	MO-S6600
Video system	NTSC / PAL
Number of effective pixels	756(H) x 504(V) D1 (NTSC & PAL)
Image sensor	1/3" CCIQ III Color WDR Camera
Resolution(TV Lines)	520 TV Lines
S/N Ratio	50 dB
Max Dynamic Range	120 [dB]
Sensor scan mode	progressive scan
Minimum illumination	0.05Lux /F 1.2 20IRE
Frame Rate	30 fps CVBS (NTSC & PAL)
Sensitivity	11.9 [V/Lux.sec]
Horizontal sync frequency	NTSC -15.734kHz , PAL - 15.625kHz
Vertical sync frequency	NTSC - 60Hz , PAL - 50Hz
Camera consumption	0.45
Video output	1Vp-p , 75ohm composite
Storage temperature	-30 to 60 Degree C
Working temperature	-10 to 45 Degree C
Power source	Camera input: DC 5~12V
Power current	80 mA(max)-DC12V
Dimension (mm)	12.8 x 12.8 mm



MO-S6600-3T



MO-S6600-5F



MO-S6600-4D

Other information

MODEL	Built-in Lens	MICROPHONE
MO-S6600-3T	3.1mm/F3.4	W/O MIC.
MO-S6600-4D	4.8mm/F4.5	W/O MIC.
MO-S6600-5F	5.0mm/F3.5	W/O MIC.
MO-S6600A-3T	3.1mm/F3.4	W/ MIC.
MO-S6600A-4D	4.8mm/F4.5	W/ MIC.
MO-S6600A-5F	5.0mm/F3.5	W/ MIC.

note:

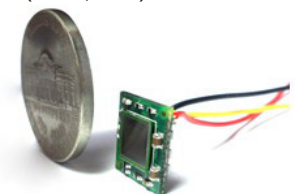
MO-S6600A A: W/MIC.

Other information

MO-B5610

- 1/3" CCIQ III
- Ultra slim :2.6mm ONLY

1/3" Color CCIQ III Camera
Pixel : 728 x 488 (NTSC / PAL)
480 TV Lines

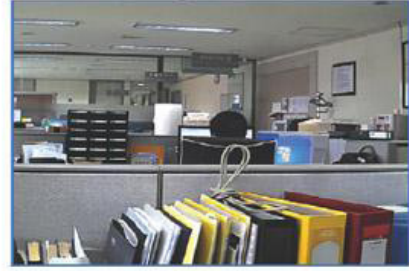
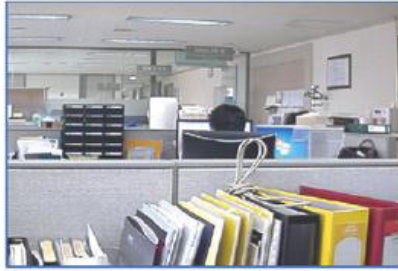


Ultra Slim

Advanced Features

- ▶ Hight color reproduction
- ▶ More excellent color reproduction

WDR Light Environment (Office)



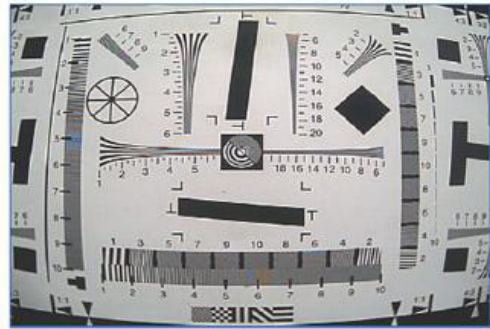
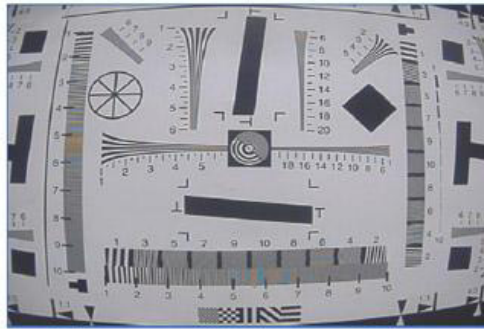
WDR Light Environment (Outdoor)



normal

MO-S6600 SERIES

- ▶ Hight Resolution
- ▶ Confirmed maximum resolution to achieve the 520TVL. !!



normal

MO-S6600 SERIES

- ▶ WDR Light Environment (Day, Tunnel)
- ▶ Gradation compensation to improve image contrast
- ▶ Improvement of loss of dark detail and overexposure area

WDR Light Environment (Tunnel)



normal

MO-S6600 SERIES

- ▶ WDR Light Environment (night, Street)
- ▶ Gradation compensation to improve image contrast
- ▶ Improvement of loss of dark detail and overexposure area

**WDR Light
Environment
(Night, Street)**

normal

MO-S6600 SERIES