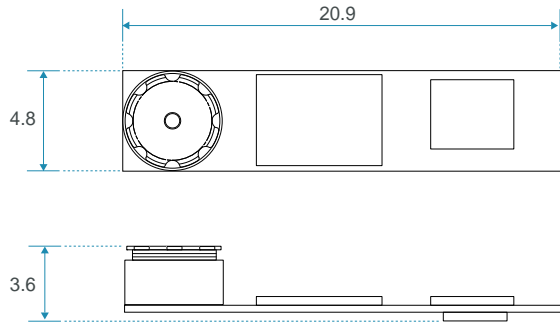


Board Type



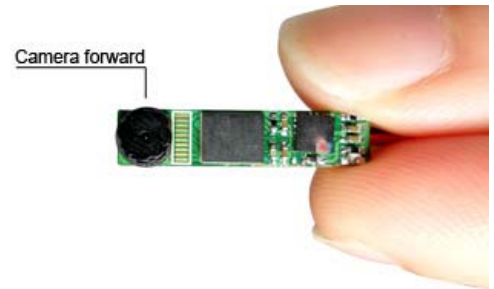
Feature

- High Sensitivity!
- High Performance.
- 1/8" CCIQ II Color
- 4.8 mm only
- 656 x 496 Pixel

Specification

unit : mm (±0.5)

Model	MO-BL0804	MO-BL0804K
Pixel size	2.8 um x 2.8um	
Effective Image Area	1.837 mm x 1.389 mm	
Video system	NTSC / PAL	
Number of effective pixels	656 x 496 (NTSC & PAL)	
Image sensor	1/8" CCIQ II Color Camera	
Resolution(TV Lines)	400 TV Lines	
S/N Ratio	41.6 dB	
Dynamic range	56.4 dB	
Sensor scan mode	progressive scan	
Minimum illumination	1LUX / F1.2	
Shutter Speed	30 fps.	15 fps.
Sensitivity	0.94V /Lux.sec	
Horizontal sync frequency	NTSC - 15.734kHz , PAL - 15.625kHz	
Vertical sync frequency	NTSC - 60Hz , PAL - 50Hz	
Camera consumption	0.45	
Video output	1Vp-p , 75ohm composite	
Built - lens	1.88mm/ F2.8	
Storage temperature	-30 to 60 Degree C	
Working temperature	-10 to 45 Degree C	
Power source	DC 3.3~5V	
Power current	130 mA(max)	
Dimension (mm)	4.8 x 20.9(mm)	



MO-BL0804

Other information

Model	LED Light	Max. Frame Rate
MO-BL0804	W/O	30 fps.
MO-BL0804K	W/O	15 fps.
MO-BL0804L	White LED x 4	30 fps.
MO-BL0804LK	White LED x 4	15 fps.

NOTE:

LED light : white light-standard (IR LED light : 940nm or 850nm -ordering in advance)

MO-B1003

- 1/10" CCIQ II
- Lens : 2.5 mm Only !!

1/10" Color CCIQ II Camera
Pixel : 400 x 400 (NTSC / PAL)
3300mV/Lux
Sensor board: (D)2.5 x 5 (mm)
+
Main board: 70 x 15(mm)

